

Product Information Bulletin

PC-99-001-KK

29 September, 1999

Page 1 of 1

Correct Multi-Ram™ Installation

Several models of Shaffer Multi-Ram blocks (see table below) could be improperly installed. Due to their geometry, they can be installed upside down. If the ram assembly is installed improperly, the ram block and BOP cavity can be damaged when the ram is cycled. *The ram assembly must be installed with the top seal on top or damage will result* (see Figures 1 and 2).

Multi-Ram Assembly	Description	Style
722357	7", 5M, 2 ³ / ₈ to 2 ¹ / ₈	B
124887	7", 3M, 2 ³ / ₈ to 2 ¹ / ₈	B
124195	13", 5M, 4 ¹ / ₂ to 7	B
125393	13", 10M, 2 ³ / ₈ to 3 ¹ / ₂	B
126350*	13", 15M, SLX, 3 ¹ / ₂ to 5	A
126443	13", 15M, SLX, 5 to 7	B
166632	16", 5M, 3 ¹ / ₂ to 5 ¹ / ₂	B
125395	16", 5M, 5 to 7	B
124524	18", 10M, 5 to 6 ⁵ / ₈	B
125397	21", 2M/20", 3M, 4 ¹ / ₂ to 7	B
126014	21", 5M, 3 ¹ / ₂ to 5	B
126015	21", 5M, 5 to 7	B

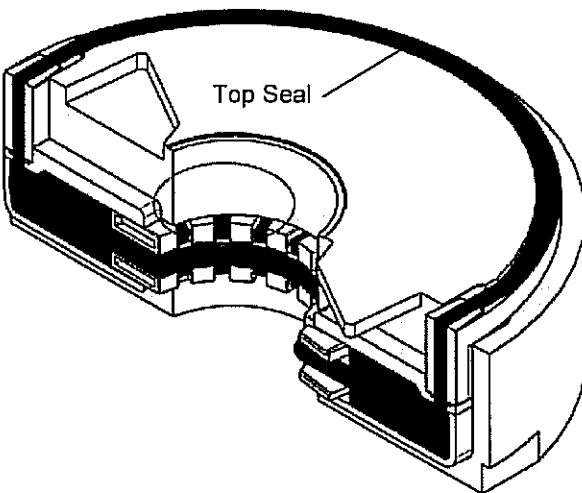


Figure 1
 Style A
 Centering Ear On Top

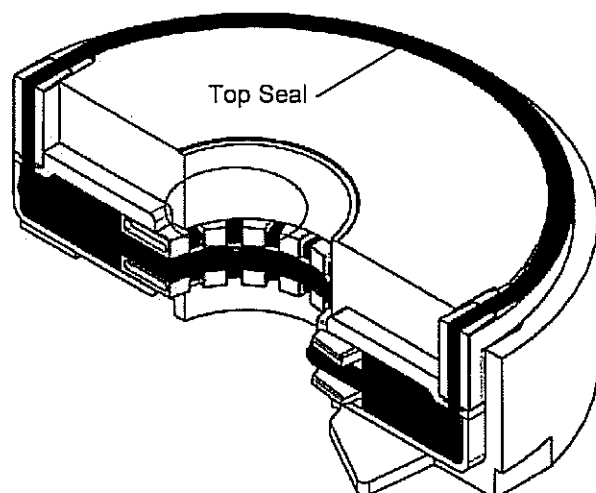


Figure 2
 Style B
 Centering Ear On Bottom